

ERF4092, 4G antenna, SMA Male connector

**Features**

| Electrical Properties<br>Parameter: | Description    |
|-------------------------------------|----------------|
| Frequency Band:                     | 640 ~ 4000 MHz |
| Nominal Impedance:                  | 50 Ω           |
| Polarization:                       | Linear         |
| V.S.W.R:                            | < 2.0          |
| Gain: (without cable)               | 2 dBi          |



**Mechanical Properties**

| Parameter:                   | Description             |
|------------------------------|-------------------------|
| Antenna Type:                | External Antenna        |
| Mounting Method:             | Screw Type              |
| Connector Type:              | SMA male                |
| Antenna Dimensions:          | 115.6*21.7*5.8 mm ± 0.2 |
| Antenna Color:               | Black                   |
| Cable Length:                | 140 cm ± 1              |
| Operating Temperature Range: | -40°C~+85°C             |
| Storage Temperature Range:   | -40°C~+85°C             |

**Typical applications**

- M2M
- 4G/3G/2G
- Wi-Fi
- Zigbee
- LTE
- UMTS
- GSM
- HSPA

**Description**

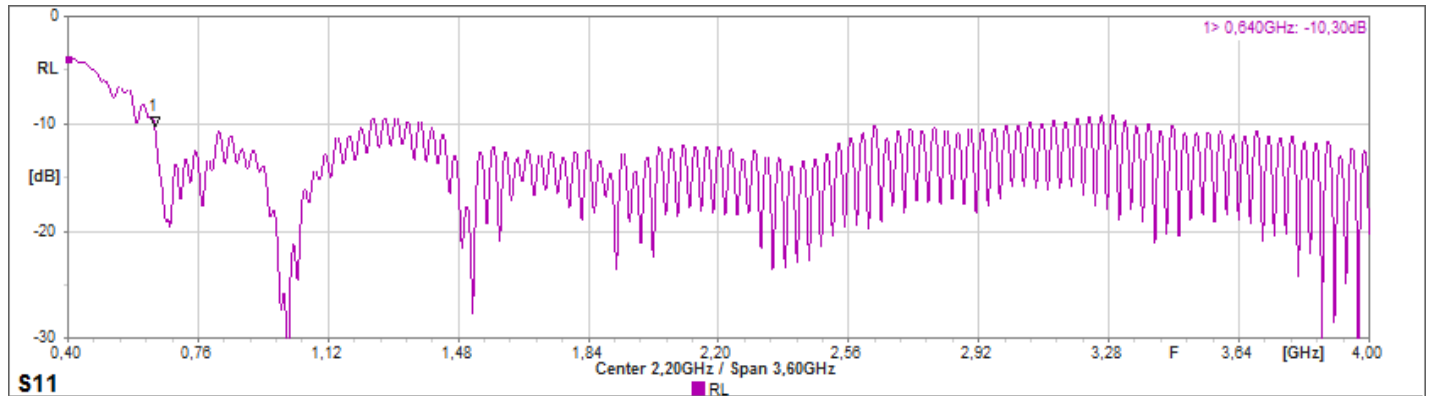
The ERF4092 antenna is a black antenna with a SMA Male connector. The antenna can be used in the frequency range of 640 MHz to 4000 MHz.

The antenna can be used for applications such as, M2M , 4G/3G/2G , Wi-Fi, LTE and more.

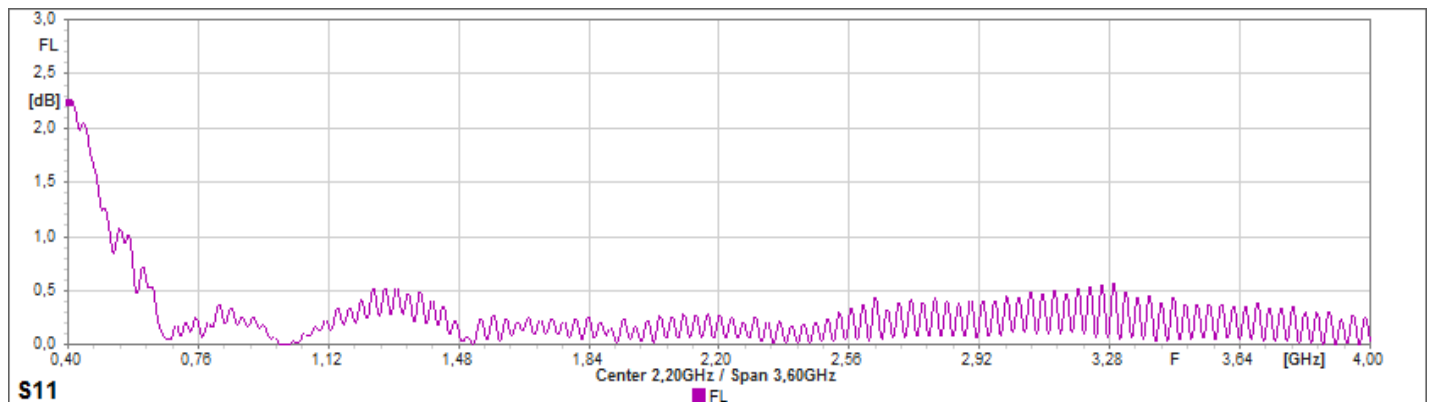
ERF4092, 4G antenna, SMA Male connector

Antenna Properties

Return Loss

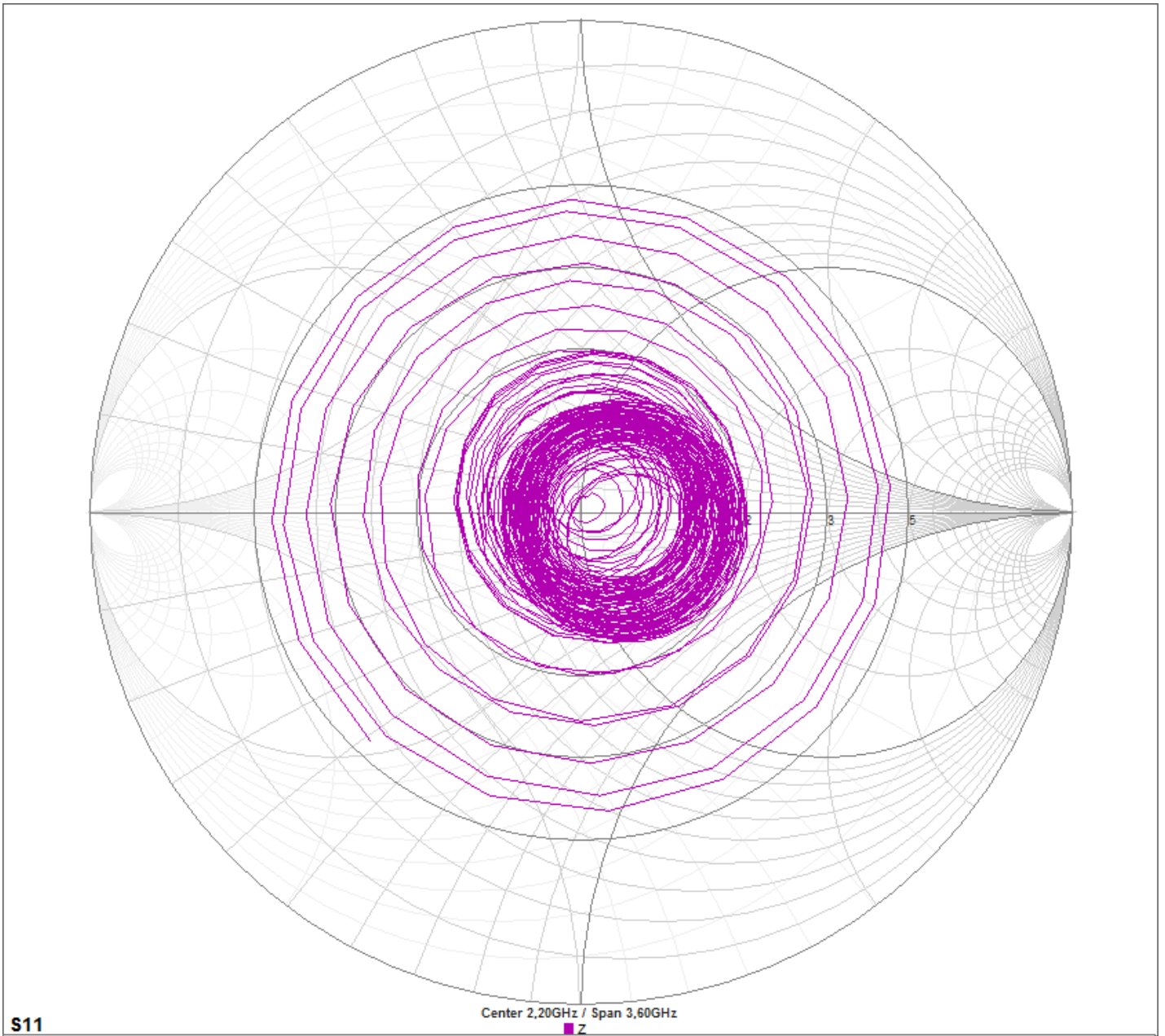


Forward Loss



ERF4092, 4G antenna, SMA Male connector

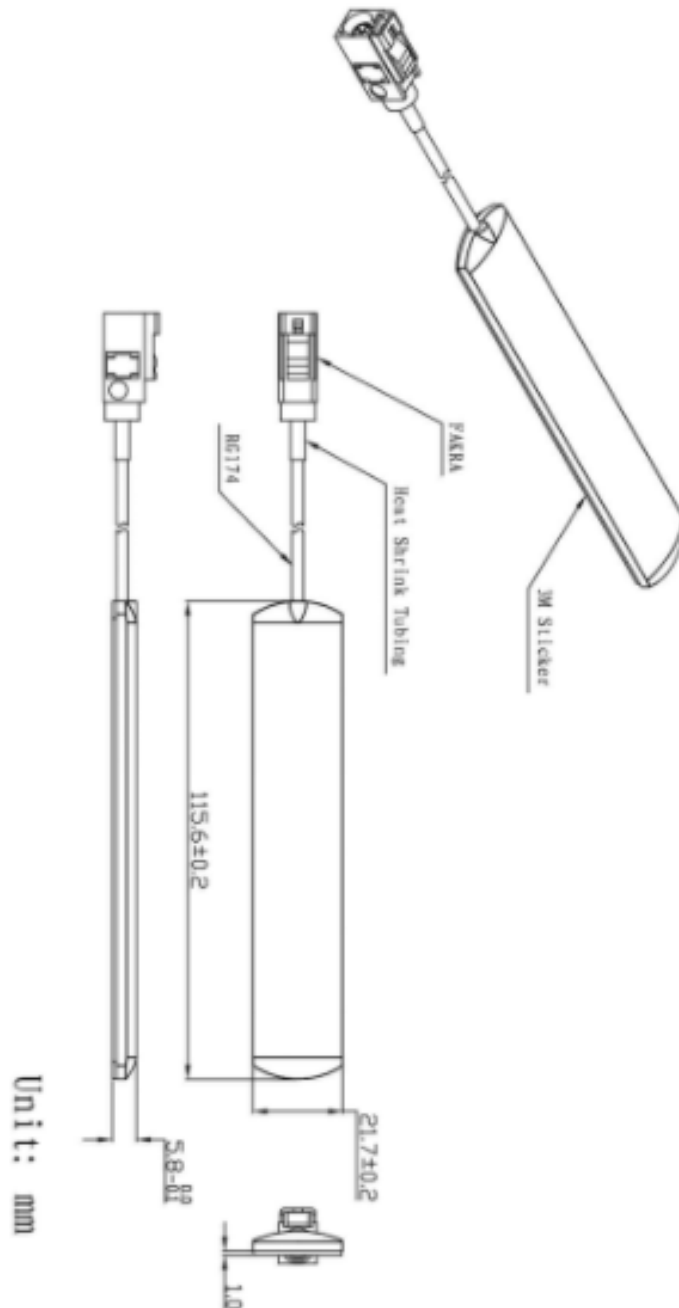
Impedance



## ERF4092, 4G antenna, SMA Male connector

### Dimensions

\*note: Image only for reference, antenna uses an SMA Male connector



ERF4092, 4G antenna, SMA Male connector

---

**Connectors****SMA Male****SMA Female****RP-SMA Male****RP-SMA Female**

The ERF4092 antenna uses an SMA Male connector.

**Ordering information**

Ordering can be done via [www.summit-electronics.com](http://www.summit-electronics.com) or via [info@summit-electronics.com](mailto:info@summit-electronics.com). Please contact us for more information. Customisation of the product is available on request.

**Technical support**

For all product questions please contact us via [info@summit-electronics.com](mailto:info@summit-electronics.com)